

FIND YOUR PACKING EQUIPMENT HERE



# SEVAL A/S

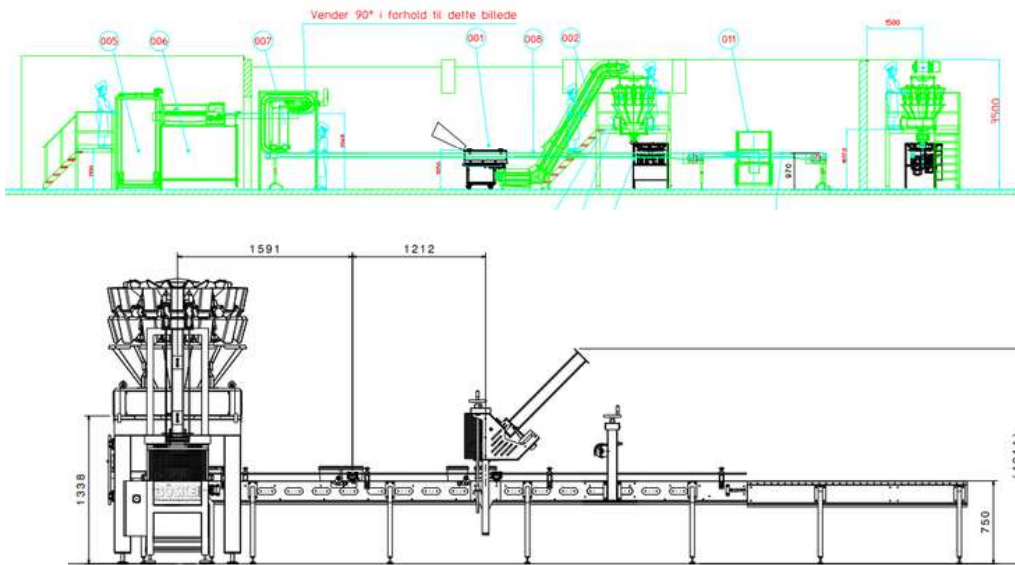
**Administration:** Kærbøllingvej 106 . DK 7182 Bredsten - **Showroom/engineering:** Trunderupvej 1F . DK 5683 Haarby  
Phone: +45 76654044 . Email: kontakt@seval.dk . CVR 10060753



# MULTIHEAD WEIGHING

*High speed*

# Our STORY



SEVAL has 40 years of expertise within the packing machine segment and offer a wide variety of machines from simple to complex packing lines.

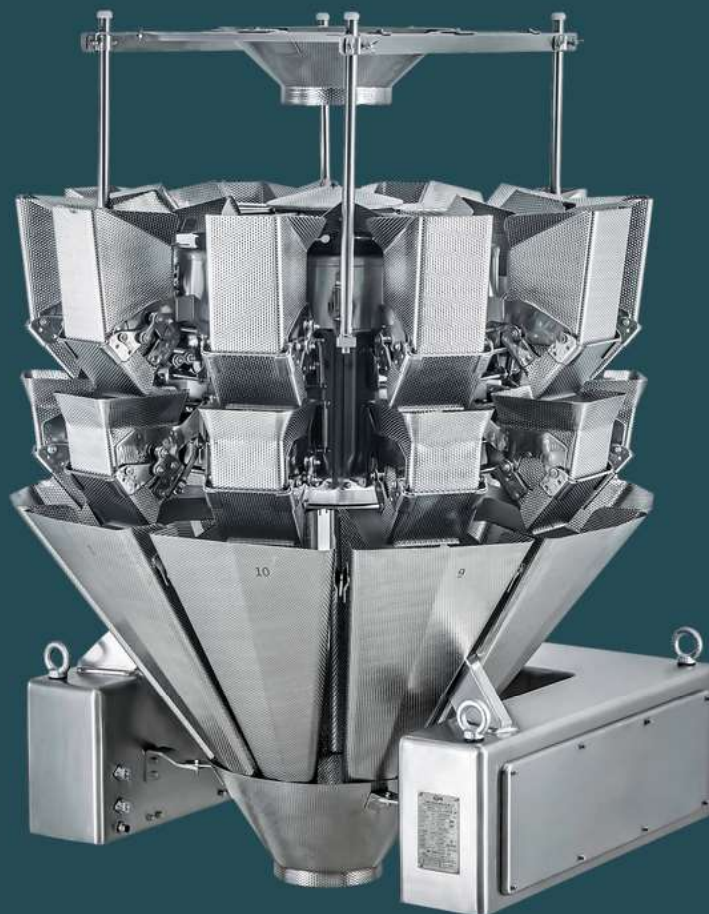
SEVAL specializes in delivering tailormade total solutions for our customers and has delivered many projects consisting of multihead weighers, vertical bagging machines, horizontal bagging machines, dosing equipment for fluent products combined with bagging machines etc.

Don't hesitate to contact us for an exchange of expertise for your next project.

We are always pleased to provide you with a serious offer

# MULTIHEAD WEIGHING

*High speed*



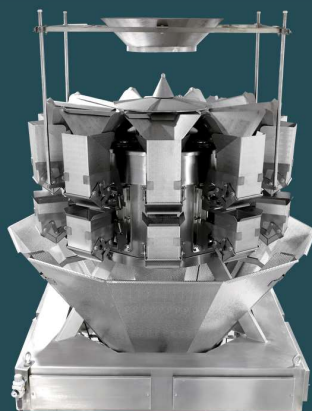
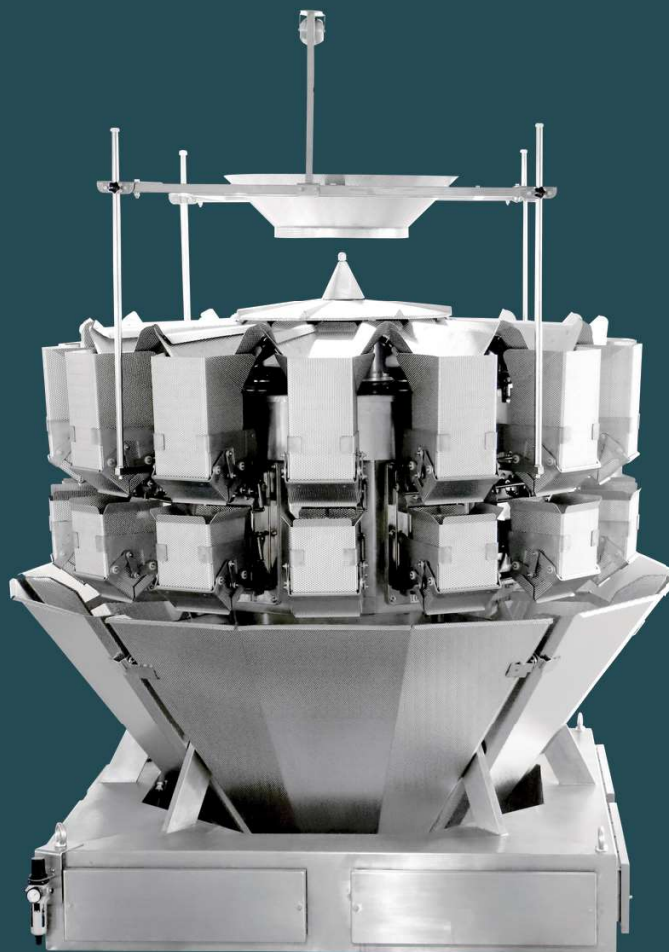
washable edition



Item	SEVAL - High speed 10 heads weigher	SEVAL - High speed 14 heads weigher
Model	10-1,6-3,0	14-1,6-3,0
Generation	4.0	4.0
Weighing Range	10 - 3000g	10 - 3000g
Accuracy	±0,5-2,0g	±0,5-2,0g
Max speed	75 WPM	140 WPM
Power supply	220V 50Hz 1,5kW	220V 50Hz 1,5kW
Hopper volume	1,8L / 3,0L	1,8L / 3,0L
Monitor	10,4 inch color touch screen	10,4 inch color touch screen
Dimension (mm)	1500 x 1120 x 1400	1600 x 1210 x 1550
Optional	<ul style="list-style-type: none"> <li>▪ Independent linear feeder pan</li> <li>▪ V shape linear feeder pan</li> </ul>	<ul style="list-style-type: none"> <li>▪ Skirt on linear feeder pan</li> <li>▪ Cylinder gate on linear feeder pan</li> </ul>

*Large volumes*

# MULTIHEAD WEIGHING



Item	SEVAL - Large Volume hopper 10 head Multihead Weigher	SEVAL - Large Volume hopper 14 head Multihead Weigher	SEVAL - Large Volume hopper 16 head Multihead Weigher
Model	10-5.5-7.5	14-5.5-7.5	16-5.5-7.5
Generation	4.0 Basic/Plus	4.0 Basic/Plus	4.0 Plus
Weighing Range	25g - 5000g	25g - 5000g	25g - 5000g
Accuracy	±1-8g	±1-8g	±1-8g
Max speed	60 WPM	80 WPM	100 WPM
Power supply	220V 50Hz 3.0kW	220V 50Hz 3.5kW	220V 50Hz 3.5kW
Hopper volume	5,5L / 7,5L	5,5L / 7,5L	5,5L / 7,5L
Monitor	10,4 inch color touch screen	10,4 inch color touch screen	10,4 inch color touch screen
Dimension (mm)	1904 x 1838 x 2205	2031 x 2031 x 2178	2160 x 2160 x 2607
Optional	<ul style="list-style-type: none"> <li>▪ Skirt on linear feeder pan</li> <li>▪ Cylinder gate on linear feeder pan</li> <li>▪ Collating chute angle</li> </ul>	<ul style="list-style-type: none"> <li>▪ Rotary top cone</li> <li>▪ 316 Stainless steel</li> <li>▪ Linear feeder pan angle</li> </ul>	<ul style="list-style-type: none"> <li>▪ Diameter and angle of collating funnel</li> <li>▪ Teflon coating</li> </ul>

# MULTIHEAD WEIGHING

*Sticky product*



Seval's anti-sticky weighing machine can be supplied either with manual feeding of product or with automatic supply of product.

The weighing machine can be delivered in combination with most packaging machines

Item	SEVAL – Anti-sticky 6-head Multihead Weigher	SEVAL – Anti-sticky 8-head Multihead Weigher	SEVAL – Anti-sticky 10-head Multihead Weigher
Model	AS 6	AS 8	AS 10
Generation	4.0 Plus	4.0 Plus	4.0 Plus
Weighing Range	15 – 1000g	15 – 1000g	15 – 1000g
Accuracy	±1-10g	±1-10g	±1-10g
Max speed	40 WPM	60 WPM	80 WPM
Power supply	220V 50/60Hz 1.5kW	220V 50/60Hz 2.0kW	220V 50/60Hz 2.5kW
Hopper volume	1,5L (scraping hopper)	1,5L (scraping hopper)	1,5L (scraping hopper)
Monitor	10,4 inch color touch screen	10,4 inch color touch screen	10,4 inch color touch screen
Dimension (mm)	Approx. 927x1327x1593	Approx. 974x1963x1593	Approx. 974x2281x1506

# BAGGING VERTICAL MACHINE

*High speed*



SEVALS best selling bag machine is the S-series with servo technology

These machines are especially designed for the food industry where flexibility and functionality as well as uptime is in focus

Item	SEVAL vertical bagging machine	SEVAL vertical bagging machine	SEVAL vertical bagging machine
<b>Model</b>	<b>S-400</b>	<b>S-500</b>	<b>S-620</b>
<b>Film width</b>	120mm to 400 mm	180mm to 500 mm	240mm to 620mm
<b>Bag width</b>	50mm to 190 mm	60mm to 240mm	110mm to 300mm
<b>Bag Length</b>	50mm to 230mm	80mm to 300mm	110mm to 380mm
<b>Packing Speed</b>	Max. 100 bags per minute	Max. 100 bags per minute	Max. 100 bags per minute
<b>Power Supply</b>	230VAC-50/60Hz – 3.5Kw	230VAC-50/60Hz – 4.0Kw	230VAC-50/60Hz – 4.5Kw
<b>Air Supply</b>	0.2m <sup>3</sup> /min – 0.6Mpa	0.2m <sup>3</sup> /min – 0.6Mpa	0.2m <sup>3</sup> /min – 0.6Mpa
Note 1: bag length can be increased if VFFS height is changed			
Note 2: Actual packing speed depends on bag size, film material, product and filling equipment			
Note 3: Simple over all drawing of the packing machine can be sent by email on request			

# BAGGING VERTICAL MACHINE

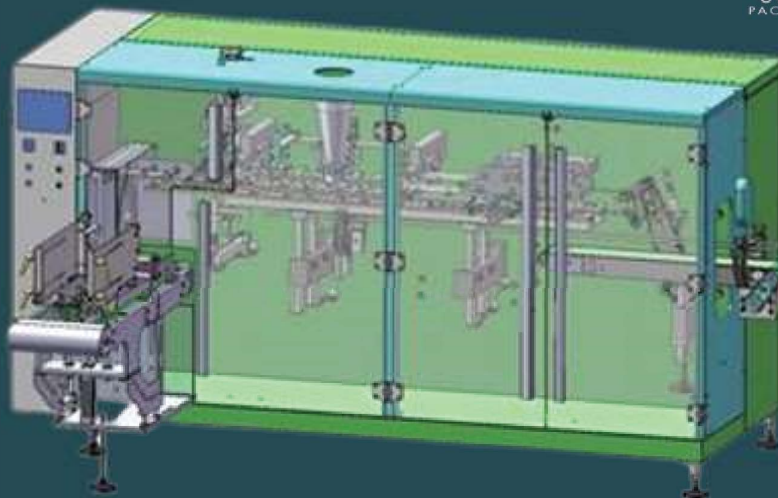
*High speed*



Item	SEVAL vertical bagging machine	SEVAL vertical bagging machine	SEVAL vertical bagging machine
Model	S-800	S-1000	S-1200
Film width	340mm to 800 mm	500mm to 1000 mm	600mm to 1200mm
Bag width	160mm to 390 mm	240mm to 490mm	290mm to 590mm
Bag Length	100mm to 480mm	120mm to 700mm	140mm to 950mm
Packing Speed	Max. 40 bags per minute	Max. 35 bags per minute	Max. 30 bags per minute
Power Supply	230VAC - 50/60Hz - 5Kw	230VAC - 50/60Hz - 5,5Kw	230VAC - 50/60Hz - 6,0Kw
Air Supply	0,6m3/min - 0,8Mpa	0,6m3/min - 0,8Mpa	0,3m3/min - 0,8Mpa
Note 1: bag length can be increased if VFFS height is changed			
Note 2: Actual packing speed depends on bag size, film material, product and filling equipment			
Note 3: Simple over all drawing of the packing machine can be sent by email on request			

# HORIZONTAL BAGGING MACHINE

*High speed*



Item	SEVAL horizontal bagging machine
<b>Model</b>	304 Frame stainless steel
<b>Bag width</b>	Up to 120mm - up to 210mm
<b>Bag Length</b>	Up to 140mm – up to 280mm
<b>Bag shape</b>	Premade Pouch / Doypack pouch / Preopened Zipper Pouch
<b>Packing Speed</b>	Max. 23 bags per minute
<b>Electronic</b>	<ul style="list-style-type: none"> <li>▪ Omron PLC and panel</li> <li>▪ Omron PID temperature Controller</li> <li>▪ Danish Software</li> <li>▪ Schmersal Safety Switching controller</li> <li>▪ Omron Encoder</li> <li>▪ SEW AC motor</li> </ul>
<b>Pneumatic</b>	Festo from Germany Piab Vacuum Generator
<b>Technical Features</b>	<ul style="list-style-type: none"> <li>▪ No bag, no dump</li> <li>▪ Easy adjustable</li> <li>▪ Low operating &amp; Maintenance cost</li> <li>▪ Multibag Format</li> <li>▪ InterLock</li> <li>▪ CE Application</li> </ul>

# AUGERFILLER FOR POWDER AND GRANULATE

*High speed*

Item	SEVAL Automatic Auger filler	SEVAL Automatic Auger filler
Model	SEVAL 45L	SEVAL 60L
Filling Weight	10-2.000g Accuracy $\pm$ 1%	10-5.000g Accuracy $\pm$ 1%
Filling Rate	40 to 120 times/min	40 to 120 times/min
Power Supply	3Phase / 220V-415V 50-60Hz	3Phase / 220V-415V 50-60Hz
Total Power	1,9KW	2,4KW
Total Weight	180 Kg	200 Kg
Overall Dimensions	1080 x 750 x 1200 mm	1080 x 750 x 1300 mm
Hopper Volume	45L	60L
Item	SEVAL Automatic Auger filler	SEVAL Automatic Auger filler
Model	SEVAL 70L	SEVAL 75L
Filling Weight	10-5.000g Accuracy $\pm$ 0,5%	10-10.000g Accuracy $\pm$ 0,5%
Filling Rate	40 to 120 times/min	40 to 120 times/min
Power Supply	3Phase / 220V-415V 50-60Hz	3Phase / 220V-415V 50-60Hz
Total Power	2,4KW	2,4KW
Total Weight	220 Kg	250 Kg
Overall Dimensions	1125 x 850 x 1300 mm	1125 x 850 x 1400 mm
Hopper Volume	Unlock transparent 70L	Unlock transparent 75L

The SEVAL automatic auger filler;

- is specially designed for milk powder, albumen powder, solid drink, white sugar, dextrose, coffee powder, fodder, pharmaceuticals, agriculture pesticide, granular additive, dyestuff, etc.
- is equipped with stainless steel enclosure with PLC & Touch Screen control and Panasonic servo system.
- can be connected to a check weigher for automatic adjusting of the filling accuracy of the product.
- is made in stainless steel
- is standard equipped with Omron PLC and Omron Touch screen
- is standard equipped with Panasonic servo system

The knock down transparent hopper can be easily accessed without tools for cleaning  
 The auger screw is driven by servo system to make fast, precise and stable filling rate and avoid abrasion.



# AUGERFILLER FOR POWDER AND GRANULATE

*High speed*

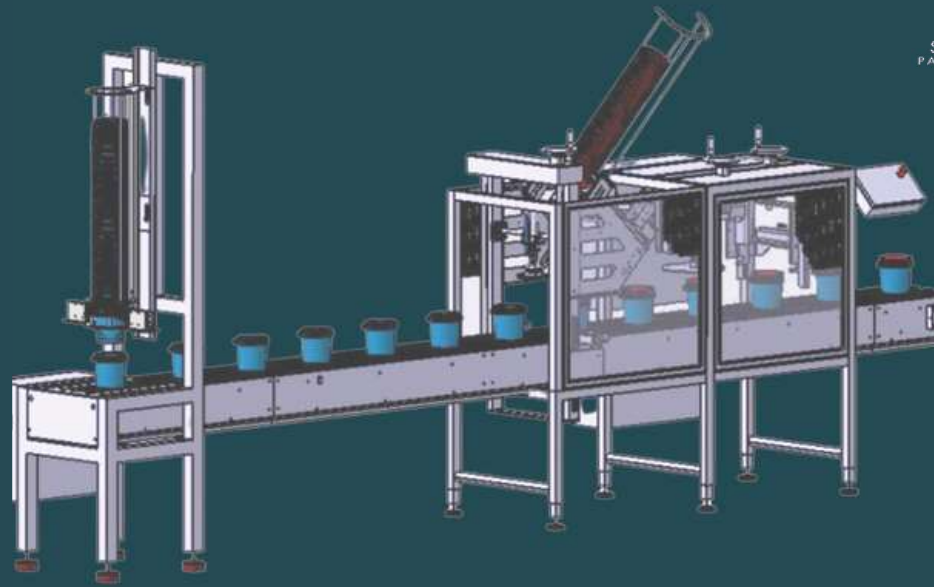
## Easy to clean split hopper

Stand Alone



Item	SEVAL Semiautomatic Auger filler
Model	STAND ALONE
Metering Mode	Auger rotation filling traced by weighing feedback
Packing weight	10-5.000g (The screw attachment is to be changed)
Packing accuracy	Package weight $\leq$ 100g with an error of $\pm$ 2% Package weight 100 - 500g with an error of $\pm$ 1% Package weight $\geq$ 500g with an error of $\pm$ 0,5%
Filling rate	40 to 120 times/min
Power supply	3Phase / 220V-415V 380V 50-60Hz 1,5 kW
Hopper volume	45 L (65L for oversized hopper)
<p>The SEVAL semiautomatic auger filler;</p> <ul style="list-style-type: none"> <li>▪ is specially designed for milk powder, albumen powder, solid drink, white sugar, dextrose, coffee powder, fodder, pharmaceuticals, agriculture pesticide, granular additive, dyestuff, etc.</li> <li>▪ is equipped with stainless steel enclosure with PLC &amp; Touch Screen control and Panasonic servo system.</li> <li>▪ can be connected to a check weigher for automatic adjusting of the filling accuracy of the product.</li> <li>▪ is made is stainless steel</li> <li>▪ is standard equipped with Omron PLC and Omron Touch screen</li> <li>▪ is standard equipped with Panasonic servo system</li> </ul> <p>The knock down transparent hopper can be easily accessed without tools for cleaning The auger screw is driven by servo system to make fast, precise and stable filling rate and avoid abrasion.</p>	

*flexible*  
BUCKETS/CUPS LINE

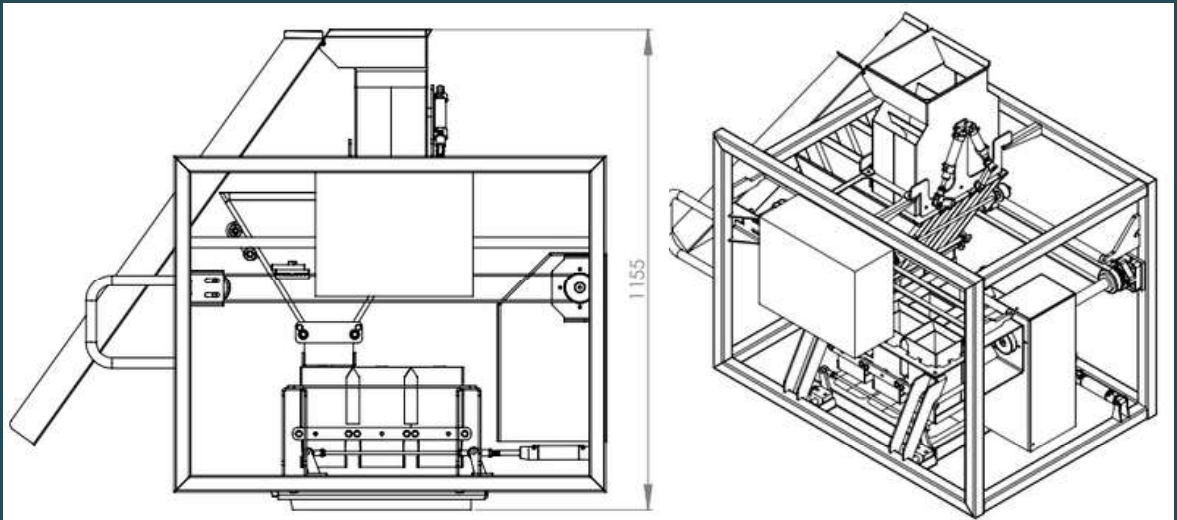
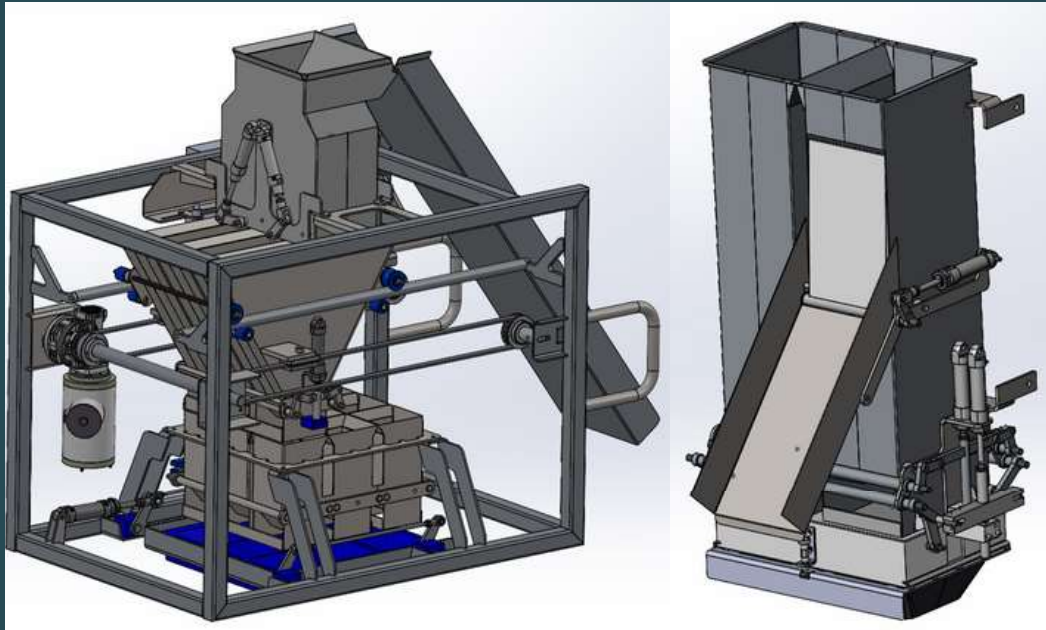
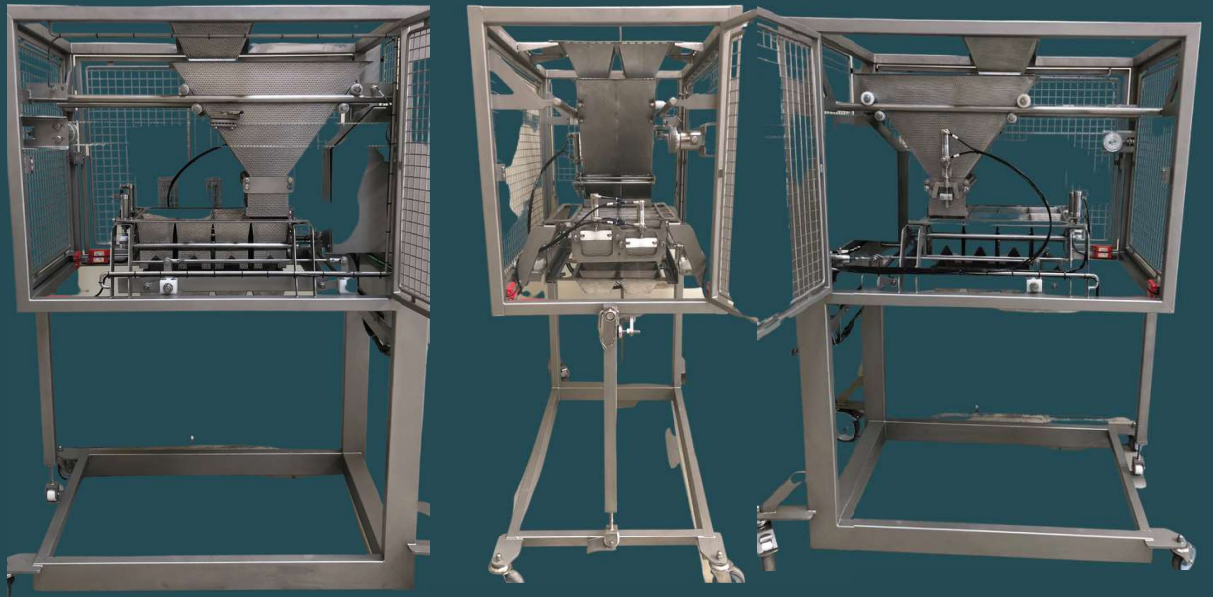


SEVAL's buckets/cups line can be supplied  
with many packaging types  
and combined with either

SEVAL's multihead weighing machine, dosing  
equipment for liquid products, auger for  
powder/granules  
or other dosing equipment

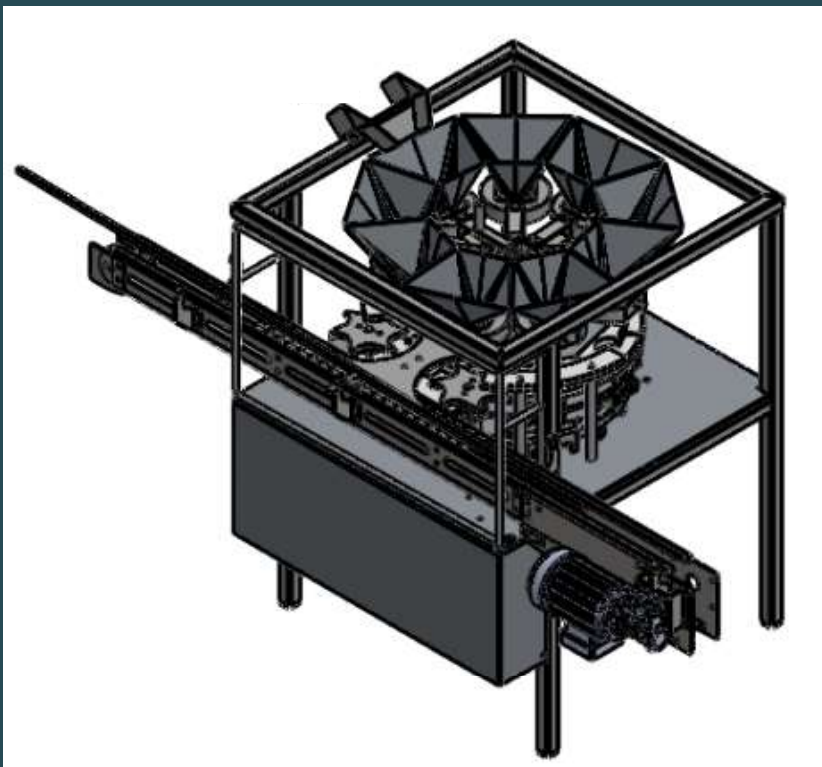
# Distributiontool for portioning in deepdrawing machines

*flexible*



*High speed filling of glass*

Vibrator round table for filling of glass and cans



*flexible*  
Dosing pump for liquid products



Stand alone pump



Pump integrated with a vertical bagging machine